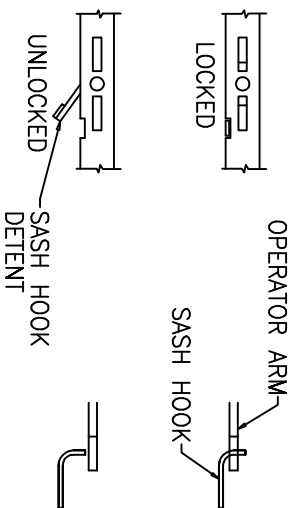
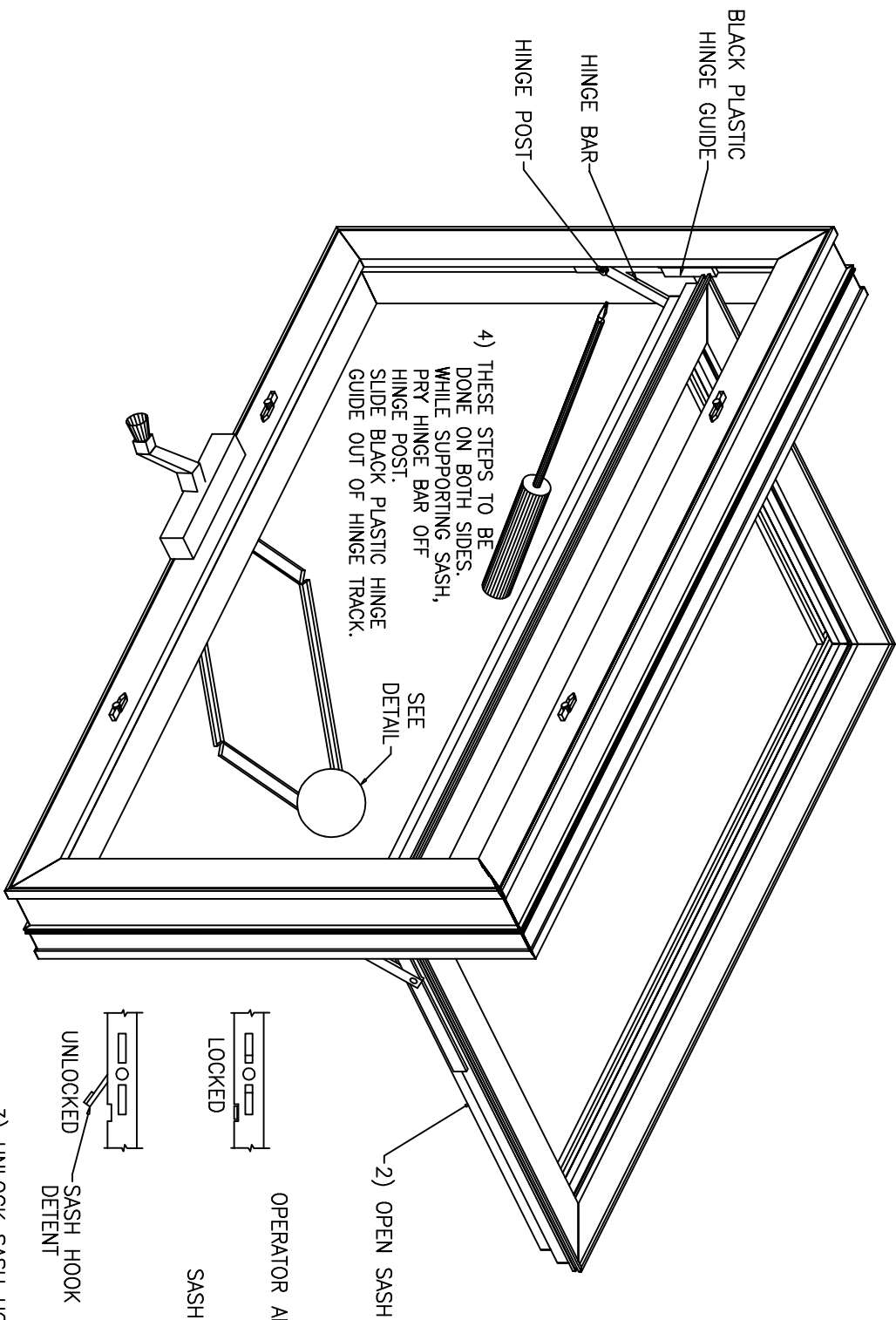


AWNING WINDOW SASH REMOVAL INSTRUCTIONS

1) TO REMOVE SCREEN: TURN SCREEN CLIPS 1/4 TURN AND REMOVE SCREEN TO INTERIOR.



3) UNLOCK SASH HOOK FROM OPERATOR ARM.

- TO REPLACE SASH:
- 1) SLIDE BLACK PLASTIC HINGE GUIDES INTO HINGE TRACK.
 - 2) SNAP HINGE BARS BACK ONTO HINGE POST – SOME FORCE WILL BE NECESSARY.
 - 3) ATTACH SASH HOOK ONTO OPERATOR ARM. LOCK SASH HOOK DETENT.
 - 4) REPLACE SCREEN.