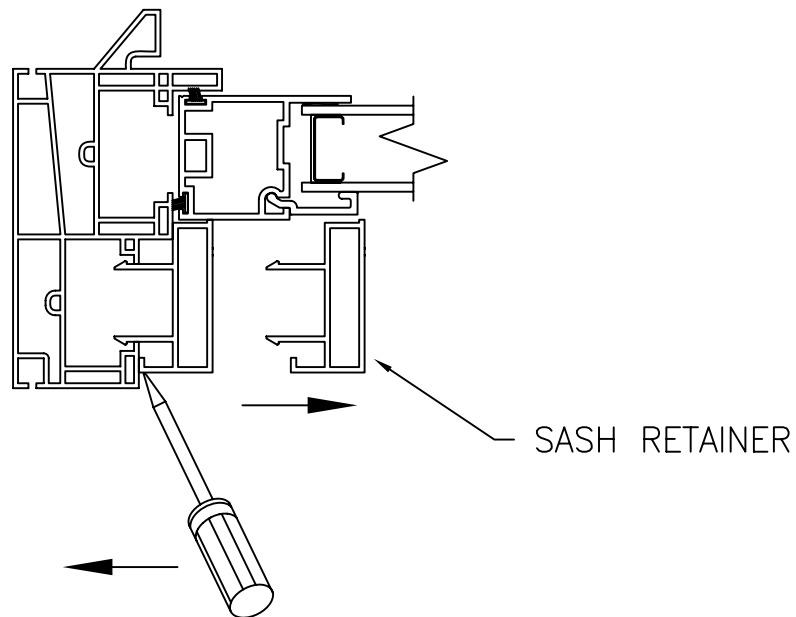
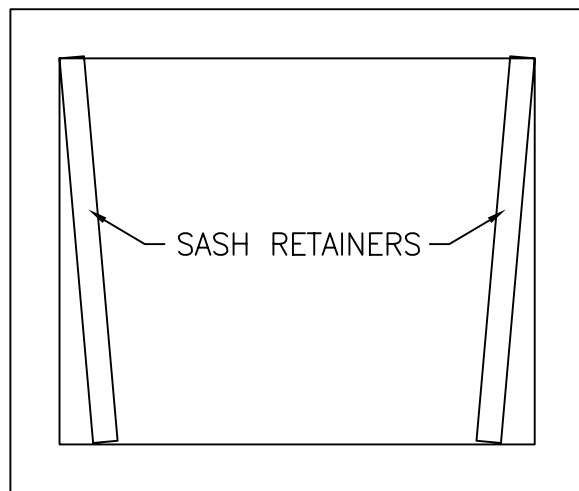


# D.H. PICTURE WINDOW SASH REMOVAL INSTRUCTIONS

- 1) USING A STANDARD SCREWDRIVER, REMOVE SASH RETAINERS FROM BOTH JAMBS AS SHOWN BELOW.



- 2) LIFT SASH UPWARD INTO TOP OF WINDOW AND SWING INWARD TO REMOVE.

- 3) TO RE-INSTALL SASH: LOAD SASH INTO TOP OF WINDOW AND SWING TO OUTSIDE. INSTALL SASH RETAINERS INTO BOTH JAMBS. (USE Mallet TO MAKE SURE SASH RETAINERS ARE FULLY SEATED INTO MAIN FRAME JAMBS.)

