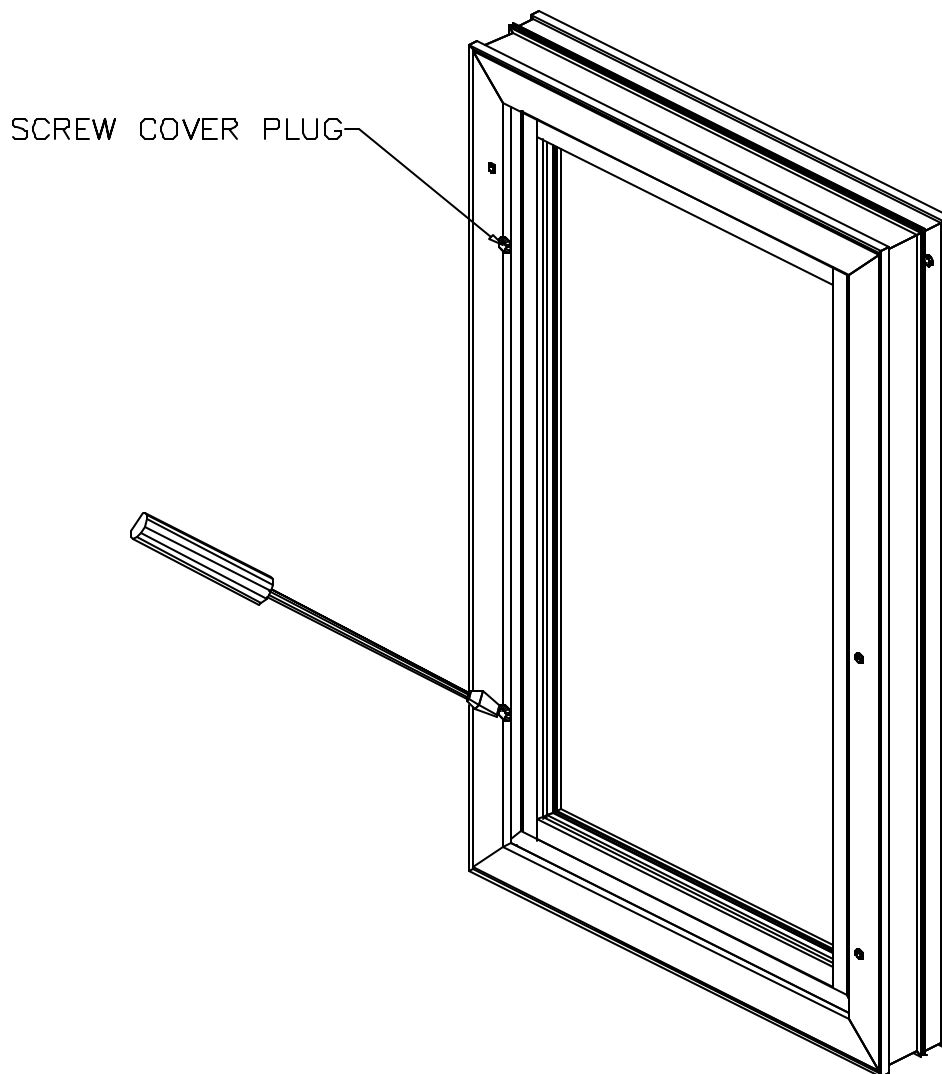


CASEMENT PICTURE WINDOW SASH REMOVAL INSTRUCTIONS



TO REMOVE SASH:

- 1) USING A THIN STANDARD SCREWDRIVER, REMOVE SCREW COVER PLUGS.
- 2) REMOVE EXPOSED SCREWS. USE CAUTION UPON REMOVAL OF FINAL SCREW SASH IS NO LONGER SUPPORTED AND MAY FALL OUT.
- 3) REMOVE SASH TO OUTSIDE.

TO RE-INSTALL SASH:

- 1) TWO PEOPLE WILL BE NEEDED FOR THIS STEP. REPLACE SASH FROM OUTSIDE. ONE PERSON INSIDE RE-INSTALLS SCREWS.
- 2) REPLACE SCREW COVER PLUGS.